

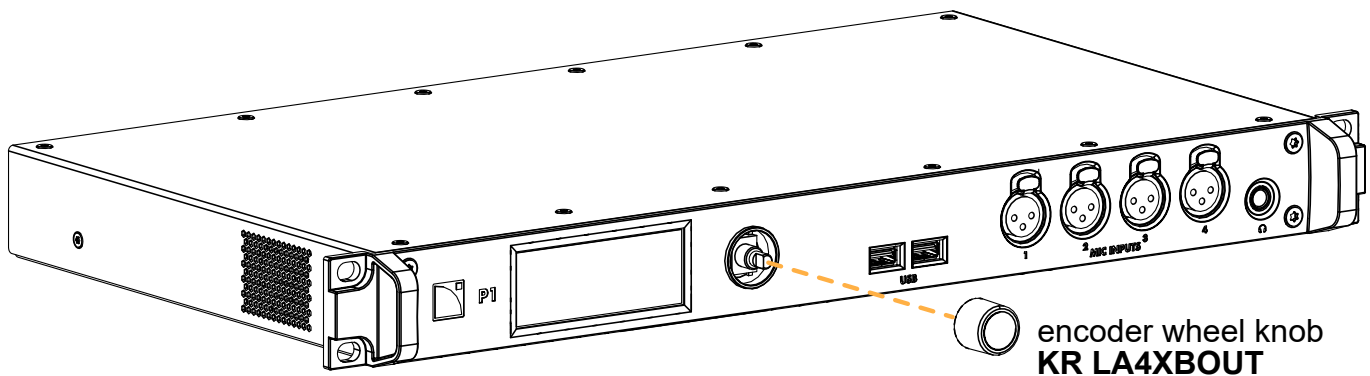
Exploded views

In the exploded views, each assembly corresponds to a D/R procedure in the maintenance instructions and the necessary repair kit(s).

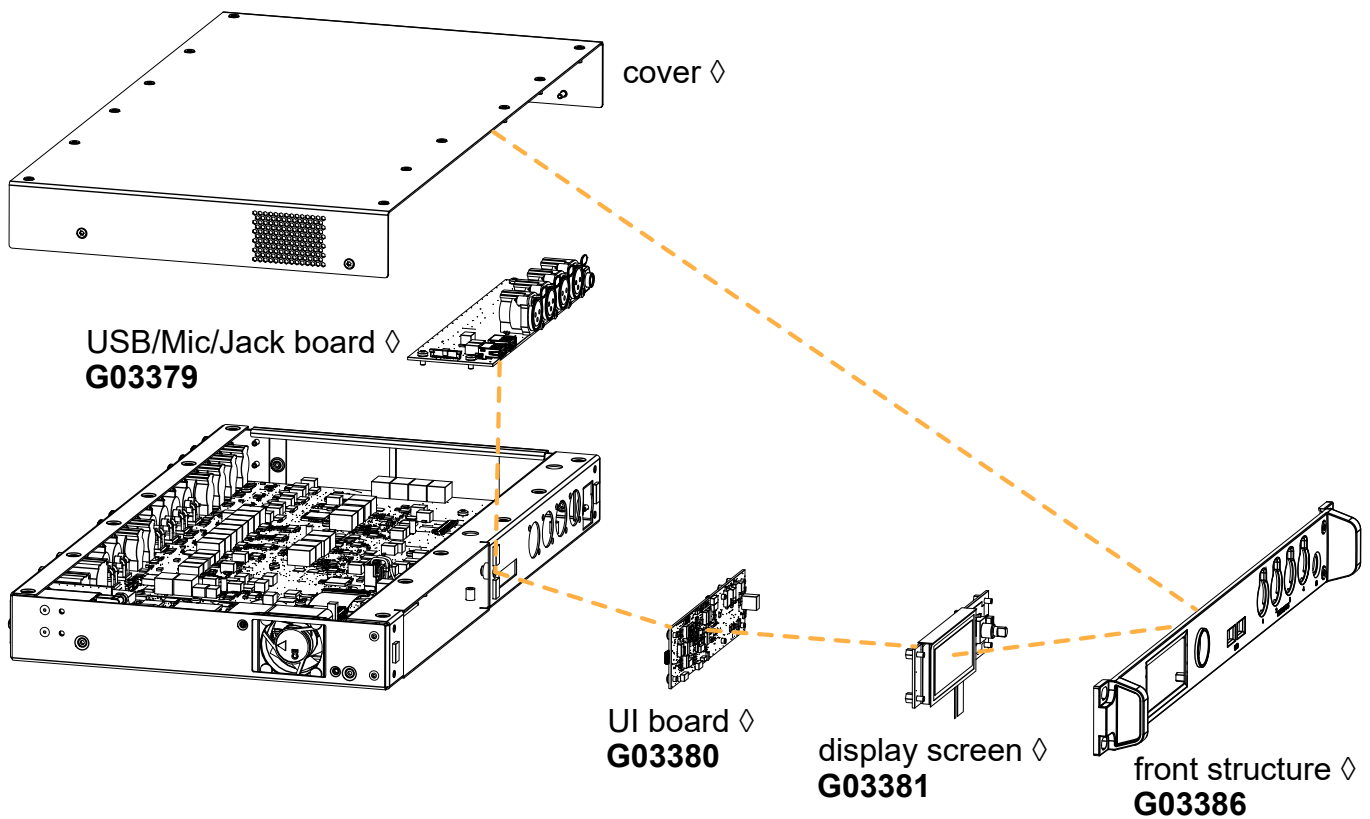
Spare screws and fasteners

Assemblies indicated by a : Order G03366 - KR screws P1 for spares.

External modules



Front panel modules



Electronics modules

