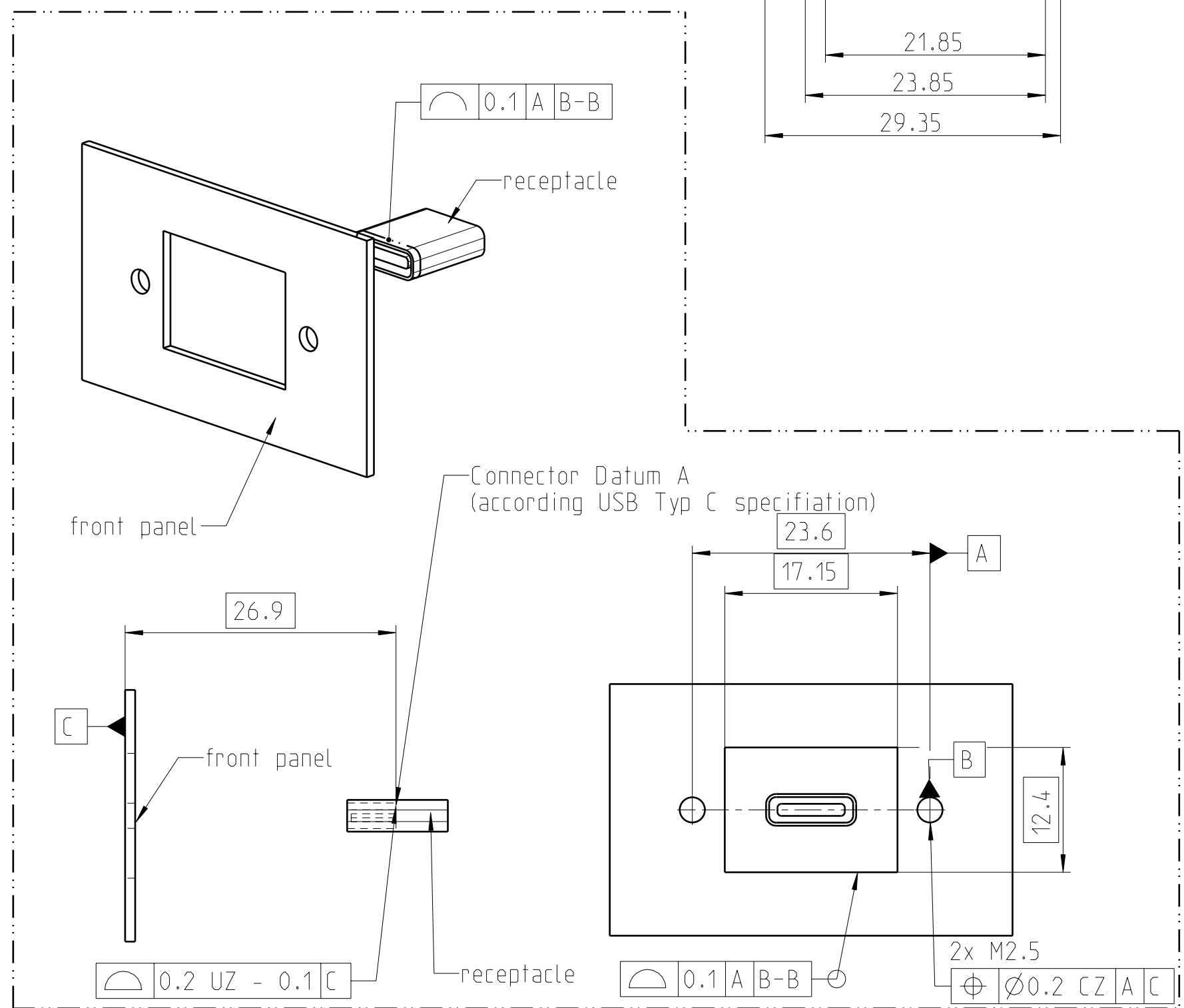
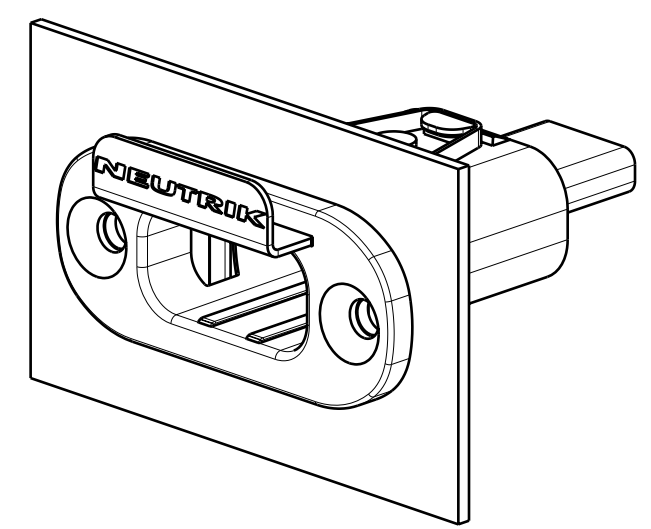
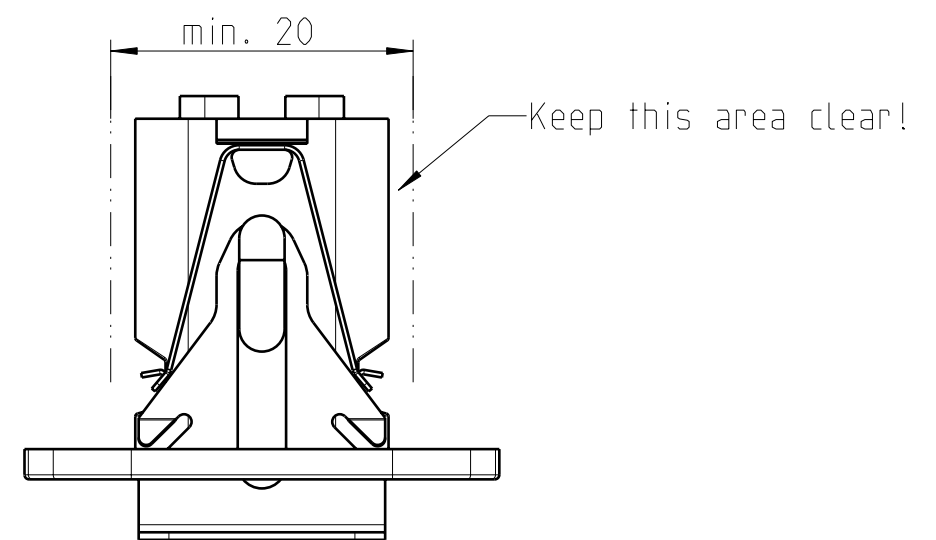
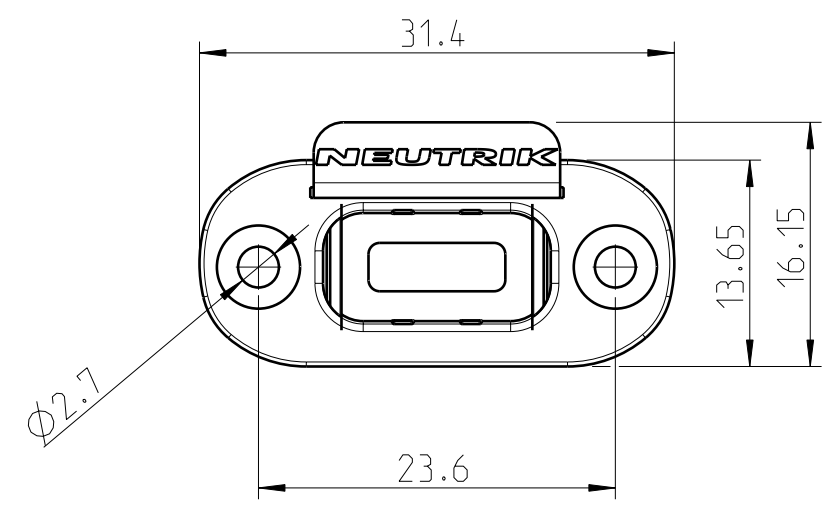
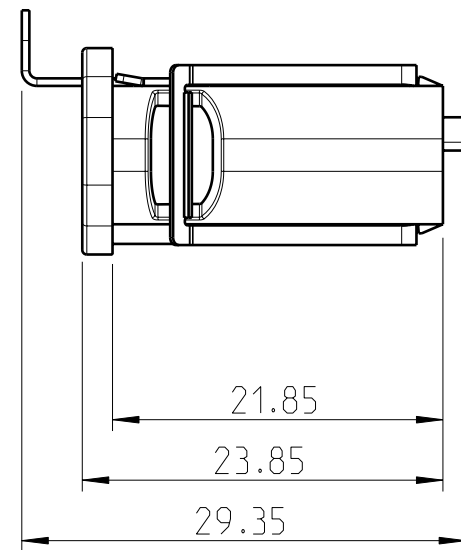
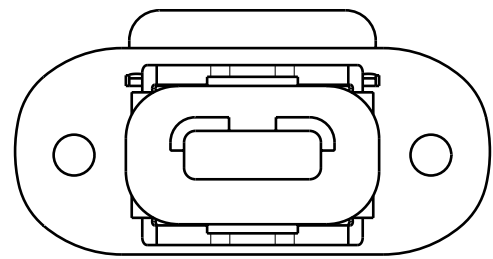


12.77g	3.75cm ³	84.20cm ²	2:1 A3	Refer to protection notice ISO 16016.		
Material	-	-		Drawn	24.01.2017	Fritsch
	-	-		Checked	24.01.2017	Fritsch
Name	MediaCon NMC-C			Modified	-	-
				Change-No.	Sheet-No.	Index
				-	1 / 1	-
© NEUTRIK 2018				Replacement for: Drawing-No. ST-NMC-C		



12.77g	3.75cm ³	84.20cm ²	2:1 A3	Refer to protection notice ISO 16016.		
Material			Drawn	Date	Name	
			Checked	24.01.2017	Fritsch	
Name			Modified	-	-	
MediaCon NMC-C			Change-No.	Sheet-No.	Index	
			-	1 / 1	-	
© NEUTRIK 2018			Replacement for: Drawing-No. ST-NMC-C_2			